

INTRODUCTION

Congratulations on your purchase of an AstralPool Waterfall. Proper installation will ensure many years of trouble free use and enjoyment.

INSTALLATION

A dedicated plumbing line is recommended for all waterfalls. It is recommended that 50mm PVC pipe be used for all installations and **must be used** where the required flow rate exceeds 200 ltr/min or the total pipe length exceeds 20 metres. The waterfall must be installed before the deck and coping is laid. Fibre Optic models have **10m** of cable attached.

Your Waterfall must be installed on a water supply line that incorporates filtration or rocktrap to prevent debris from blocking the water outlet.

**NOTE: If the Waterfall is not level when installed the water flow will be un-even!
Ensure that the Grout Guard is in place at all times during Installation.**

1. Glue the Rock Trap as close as possible to the inlet so that it will extend beyond the mounting surface. Refer to Fig 1. on Pg 2.
2. It is recommended that 50mm pipe is used for all installations using a coupling to connect the Rock Trap
3. Make a notch, cutout or penetration in the mounting wall face 20mm longer than the length of the waterfall.
4. When installing waterfalls in a sprayed concrete or brick walls, do not tie the waterfall to the Reinforcing Steel or spray in the concrete as they can distort and cause internal damage due to excessive stressing and movement however; provide a penetration using polystyrene or wood, allowing for connection of the pipe work at rear. The Waterfall can then be installed at a later date once the wall has set.

WATERFALLS ARE NOT DESIGNED TO TAKE HEAVY WHEIGHTS AND IF THEY ARE NOT SUPPORTED PROPERLY CAN SERIOUSLY AFFECT THE OVERALL PERFORMANCE.

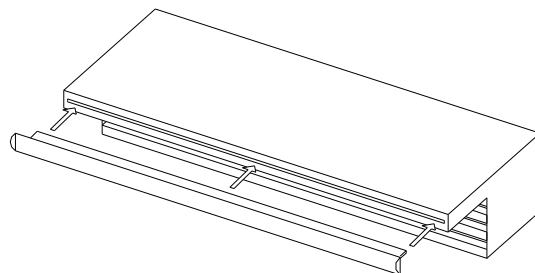
5. Knock out the penetration and place the waterfall in the notch, cutout or penetration made on the mounting surface leaving a 10mm gap at each end.

NOTE: Extended lip models must be sufficiently supported.

6. Level the waterfall, using packers where necessary.
7. Ensure the waterfalls lip edge will be flush with the finished wall surface.
8. Fill in the area below and in the back with mortar.
9. To ensure the waterfall stays in a level position while the mortar is setting place a piece of wood over the waterfall. Then use bricks or heavy objects placed on top of the wood to allow even weight distribution.
10. Once the mortar is set remove the wood and heavy objects to complete the installation.

GROUT GUARD

The Grout guard is to protect the waterfalls outlet from dirt, dust, mortar and debris while it is been installed.

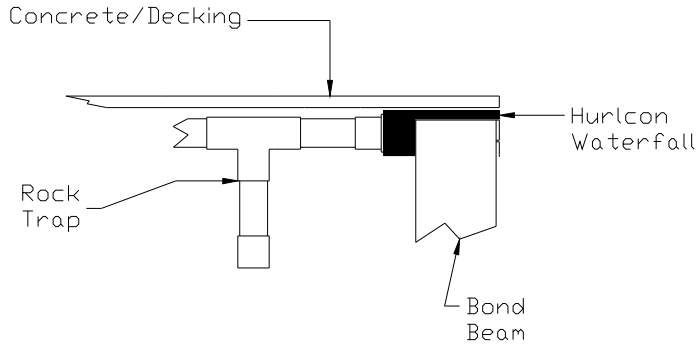


Grout Guard - Remove after Installation

ROCK TRAP

The rock trap filter supplied is to prevent dirt and debris from entering the waterfall. Below is a diagram showing where it should be mounted. For best results mount the rock trap as close to the inlet of the waterfall as possible. The rock trap should always be installed pointing downward.

Fig 1.



PUMP SELECTION.

Below is a guide as to the pump size required to operate your waterfall efficiently and effectively.

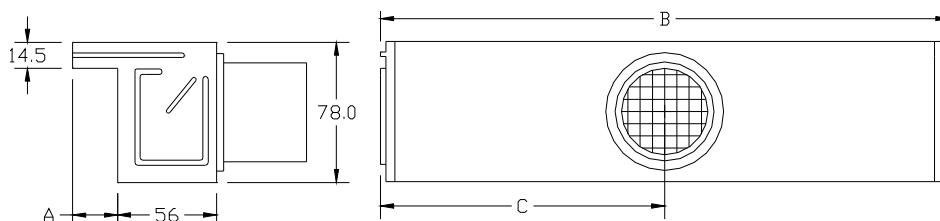
PUMP SIZE (Approximate) for WATERFALLS

Silkflow Waterfall Length	Required Water Flow - ltr/min/m	Typical Pump Size – Hp	Hurlcon Pump (at 8m Head)
300mm	50	0.50	E 140
600mm	100	0.50	E 170 / CTX 180
900mm	150	0.75	E 230 / CTX 180
1200mm	200	0.75	CTX 280
1800mm	300	1.50	CTX 360
2400mm	400	2.00	CTX 500

Cascade Waterfall Length	Required Water Flow - ltr/min/m	Typical Pump Size – Hp	Hurlcon Pump (at 8m Head)
300mm	25	0.50	E140
600mm	50	0.50	E140
900mm	75	0.50	E140
1200mm	100	0.50	E170 / CTX 180
1800mm	150	0.75	E230 / CTX 180
2400mm	200	0.75	CTX 280

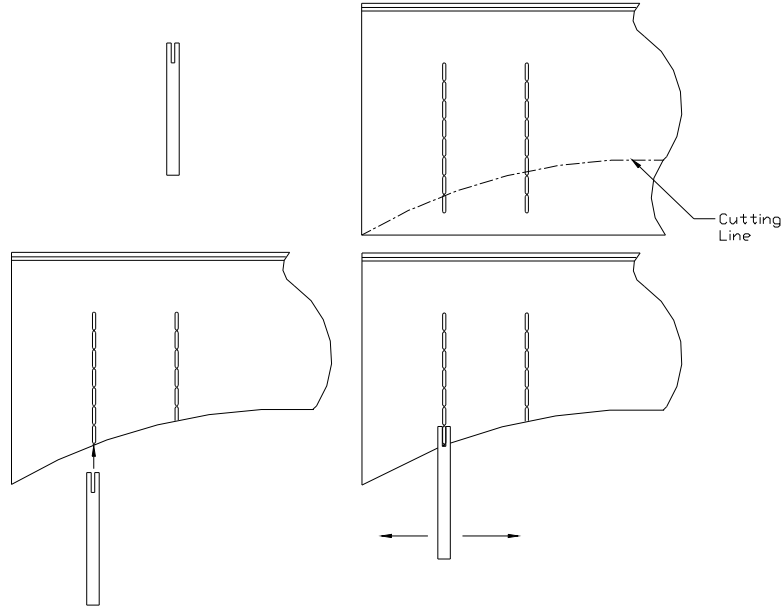
The silkflow waterfall comes in two lip sizes 25mm and 150mm (Dimension A). Below outlines all the available waterfall sizes. Fibre Optic models are available with 150mm lips only.

B Waterfall Length (mm)	C (mm)
300	150
600	300
900	450
1200	600
1800	900
2400	1200



Cutting the Waterfall's Lip

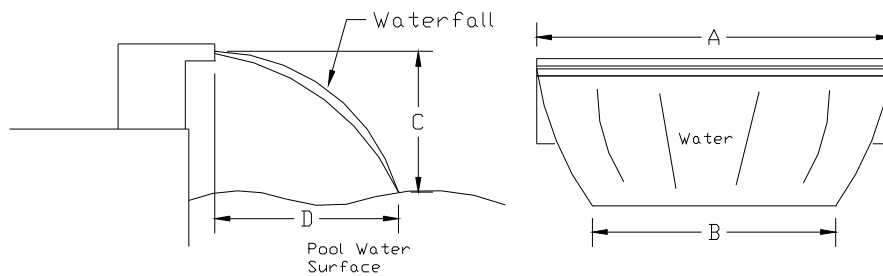
Waterfalls with Larger lips can be cut to suit the shape of the installation. Ensure no debris is inside the lip. Use the tool provided to remove any partial links remaining after the lip was cut. Then remove one full link from each spacer. Move the tool left to right repeatedly until the link/s of the spacers breaks off. **Illusion and Cascade models cannot have the lip cut.**



Flow Control

A **two way valve must be installed** on the outlet of the waterfall pump in an accessible area to control the amount of water that exits the waterfall. It will also reduce the risk of damage on start up. Have the valve half open on start up and reduce or increase depending on the desired waterfall effect you wish to achieve.

Waterfalls naturally become narrower as they fall. Below is a recommended guide for the height your waterfall should be installed above the water surface.



A – Waterfall Length	B – Waterfall Width at Pool Surface at Recommended ltr/min/m	C – Recommended Waterfall Height	D – Water Distance at Recommended ltr/min/m
300mm	200mm	300mm	300mm
600mm	500mm	600mm	300mm
900mm	800mm	900mm	300mm
1200mm	1100mm	900mm	300mm
1800mm	1700mm	900mm	300mm
2400mm	2300mm	900mm	300mm