

# LF PUMPS



## LF SERIES

This ultra compact pump uses the duplex diaphragm design to deliver flow and pressure comparable to much larger pumps.

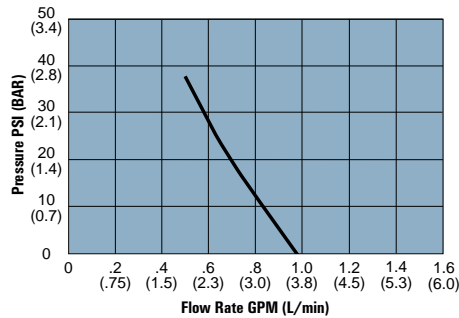
### SPECIAL FEATURES

- Sealed pressure switch automatically starts and stops pump when discharge valve opens and closes.
- Self-priming so pump can be located above supply tank.
- Can run dry for extended periods of time without damage.
- Built-in thermal protector.
- Low amp draw for battery powered applications.

### OPTIONAL FEATURES

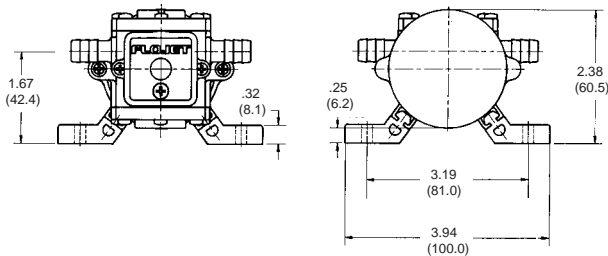
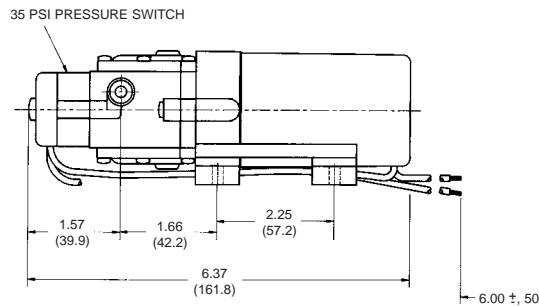
- Sealed motor with protective metal cooling finned cover.
- Integral 5 amp in-line fuse with cover.
- Manual on/off switch with protective cap to turn off pump when supply tank is empty.

### PERFORMANCE - LF12 AND LF11 SERIES



### DIMENSIONS inches (mm)

#### LF12



#### Specifications - LF12 and LF11 Series

Pump Design:	Reciprocating Diaphragm
Flow Rate:	1.0 GPM (3.8 L/min) Nominal @ Open Flow
Duty Cycle:	Intermittent
Wetted Parts Housing:	Polypropylene
Diaphragm:	Santoprene®
Check Valve:	Viton® or EPDM
Check Valve Spring:	316 Stainless Steel
Minimum Tip Size:	#8 Tip, .072" (1.83 mm) Diameter
Port Type:	3/8" (9.5 mm) Hose Barb
Operating Pressure:	25 PSI (1.7 bar) Maximum
Pressure Switch Setting:	35 PSI (2.4 bar) Off 25 PSI (1.7 bar) On
Self-Priming:	Up to 2.5 ft (.76 m) Vertically
Liquid Temperature:	110° F (43° C) Maximum
Motor Type:	Permanent Magnet Motor
Motor Voltage:	12 V DC
Current:	2.5 Amp Nominal @ 25 PSI (1.7 bar)

Model No.	Diaphragm	Check Valve	Pressure Switch Setting PSI (bar)	Manual On/Off Housing	Motor	Protection
LF112201	Santoprene	Viton®	35 (2.4 bar)	Yes	Metal Finned	Fuse
LF122201	Santoprene	Viton®	35 (2.4 bar)	No	Plastic	Thermal
LF122202	Santoprene	EPDM	35 (2.4 bar)	No	Plastic	Thermal
LF122002	Santoprene	EPDM	No Switch	No	Plastic	Thermal